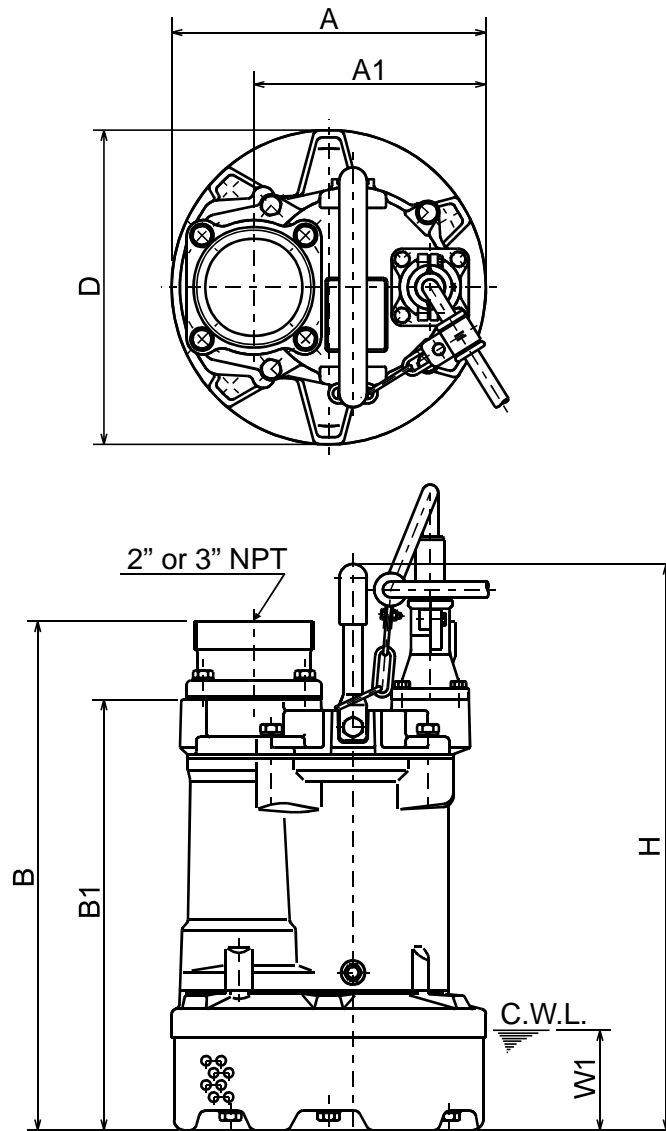




## KTV - SERIES SEMI-VORTEX - DEWATERING PUMPS

## DIMENSIONS

**KTV2-37H  
KTV2-37  
KTV2-55**



C.W.L. : Continuous running Water Level

### DIMENSIONS:USCS (Inch)

Model	HP	NOM. SIZE	Pump & Motor						C.W.L. W1	Wt. (lbs.)
			A	A1	B	B1	D	H		
KTV2-37H	5	2"	11 1/4	8 5/16	17 11/16	15 1/4	11 1/4	20 1/16	3 1/2	79
KTV2-37	5	3"	11 1/4	8 5/16	17 11/16	15 1/4	11 1/4	20 1/16	3 1/2	79
KTV2-55	7.5	3"	11 13/16	9	19 1/8	16 5/8	11 13/16	21 7/16	3 1/2	104

### DIMENSIONS:METRIC (mm)

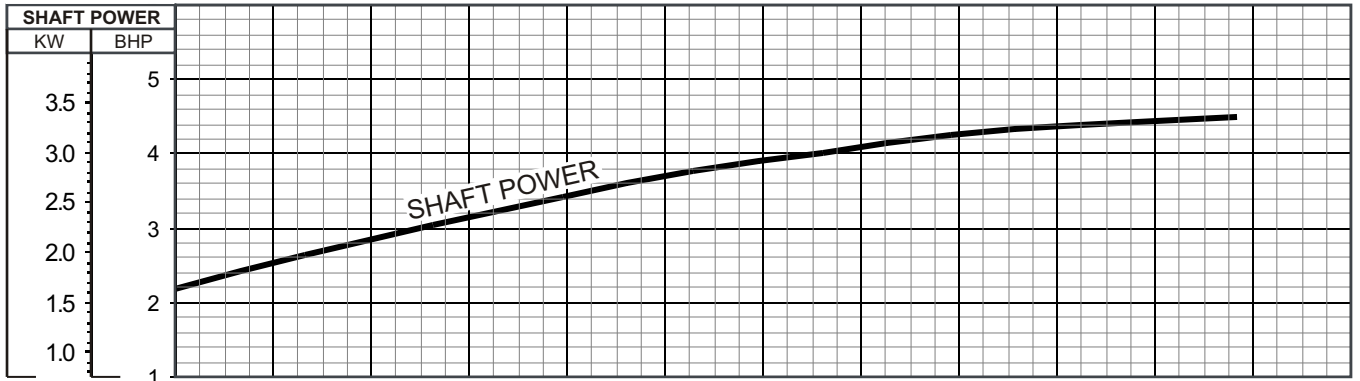
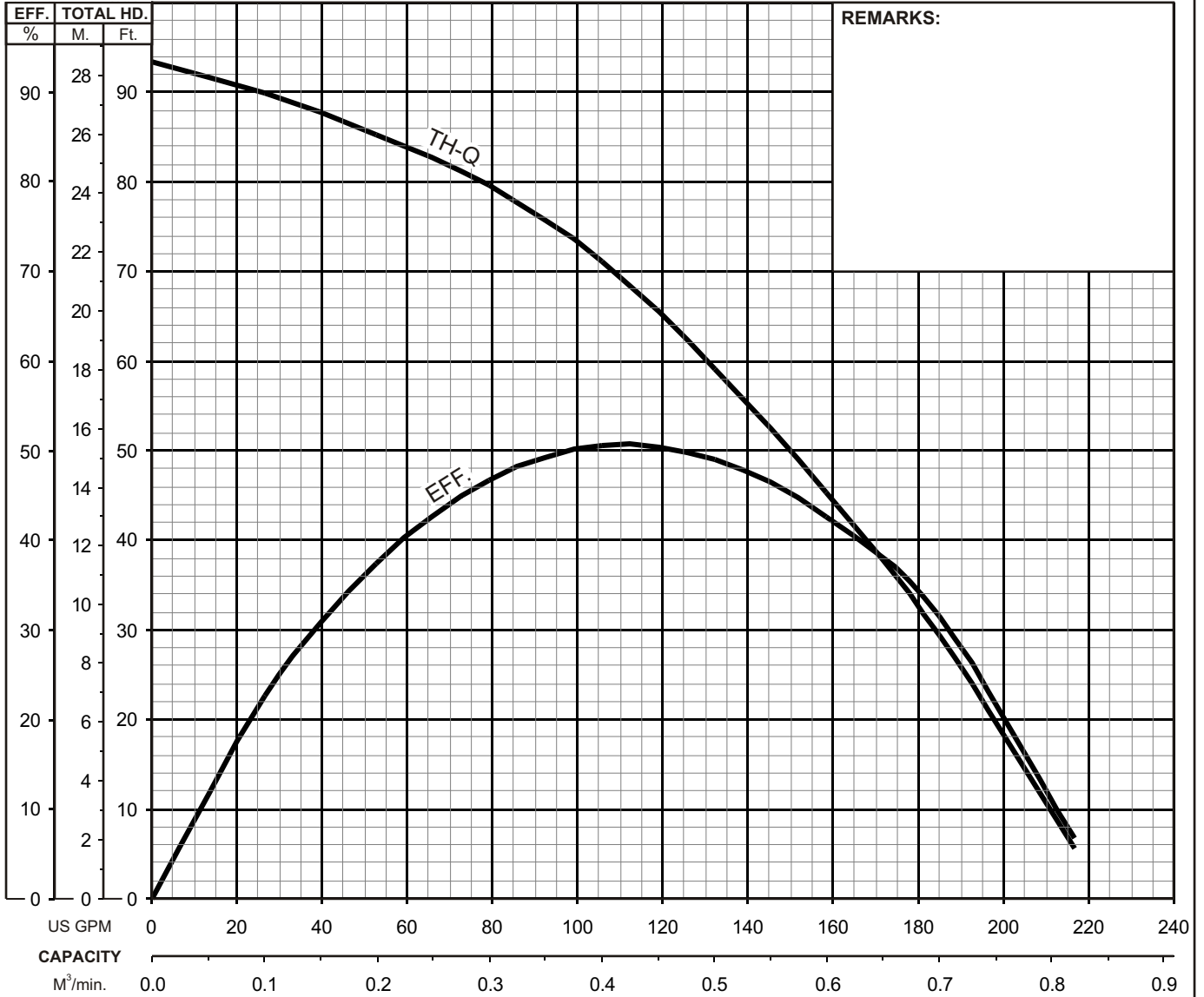
Model	kW	NOM. SIZE	Pump & Motor						C.W.L. W1	Wt. (kg)
			A	A1	B	B1	D	H		
KTV2-37H	3.7	50	285	211	450	387	285	510	90	36.0
KTV2-37	3.7	80	285	211	450	387	285	510	90	36.0
KTV2-55	5.5	80	300	229	485	422	300	545	90	47.0

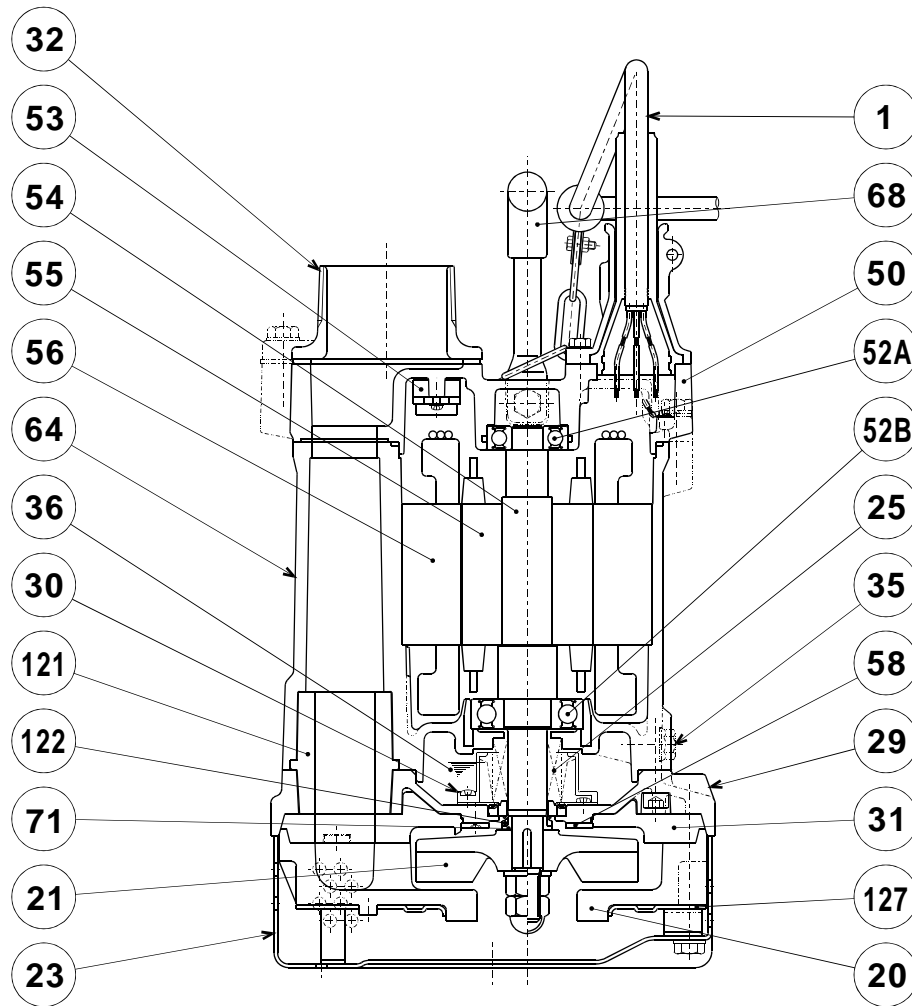


# KTV - SERIES SEMI-VORTEX - DEWATERING PUMPS

## PERFORMANCE CURVE

MODEL	BORE	HP	KW	RPM	SOLIDS DIA	LIQUID	SG.	VISCOSITY	TEMP.
KTV2-37	3"/80mm	5	3.7	3450	0.334"/8.5mm	Water	1.0	1.123 cSt.	60°F
PUMP TYPE		PHASE	VOLTAGE	AMPERAGE		HZ	STARTING METHOD		INS. CLASS
Semi-Vortex - Dewatering Pump		3	208 / 230 / 460 / 575	14.2 / 12.6 / 6.3 / 5.0		60	Direct On Line		E
CURVE No.	DATE	PHASE	VOLTAGE	AMPERAGE		HZ	STARTING METHOD		INS. CLASS
-	-	-	-	-		-	-		-




**KTV2-37H**  
**KTV2-37**

ITEM#	DESCRIPTION	MAIN MATERIAL / NOTE	ASTM, AISI CODE		Q'TY
1	Power Cable	Chloroprene Sheath AWG14/4-50ft			1
20	Pump Casing	Butadiene Rubber + Natural Rubber			1
21	Impeller	Ductile Cast Iron	A536 100-70-03	EN 1563 GJS-700-2	1
23	Suction Strainer	Steel (Cold Rolled)	A109/A1008	EN 10130	1
25	Mechanical Seal	Silicon Carbide / H-25T			1
29	Oil Casing	Aluminum Alloy Die Casting	B85 A383,0	EN1706 AC-46100	1
30	Oil Lifter	PBT Resin			1
31	Wear Ring	Butadiene Rubber + Natural Rubber			1
32	Discharge Connection	Cast Iron / NPT 2" or 3"	A48M Class30B	EN 1561 GJL-200	1
35	Oil Plug	Stainless Steel	S 30400	1.4301	1
36	Lubricant	Turbine Oil ISO VG32 or SAE10W-20			
50	Motor Head Cover	Aluminum Alloy Die Casting	B85 A383,0	EN1706 AC-46100	1
52A	Upper Bearing	#6304ZZC3			1
52B	Lower Bearing	#6306ZZC3			1
53	Motor Protector				1
54	Shaft	Stainless Steel	S 40300	1.4000	1
55	Rotor				1
56	Stator				1
64	Motor Housing	Aluminum Alloy Die Casting	B85 A383,0	EN1706 AC-46100	1
68	Handle	Steel (Cold Rolled) + Nitrile Butadiene Rubber	A109/A1008	EN 10130	1
71	Shaft Sleeve	Stainless Steel	S 30400	1.4301	1
121	Duct Sleeve	Styrene Butadiene Rubber			1
122	V-Ring	Nitrile Butadiene Rubber			1
127	Fixing Plate	Steel (Cold Rolled)	A109/A1008	EN 10130	1

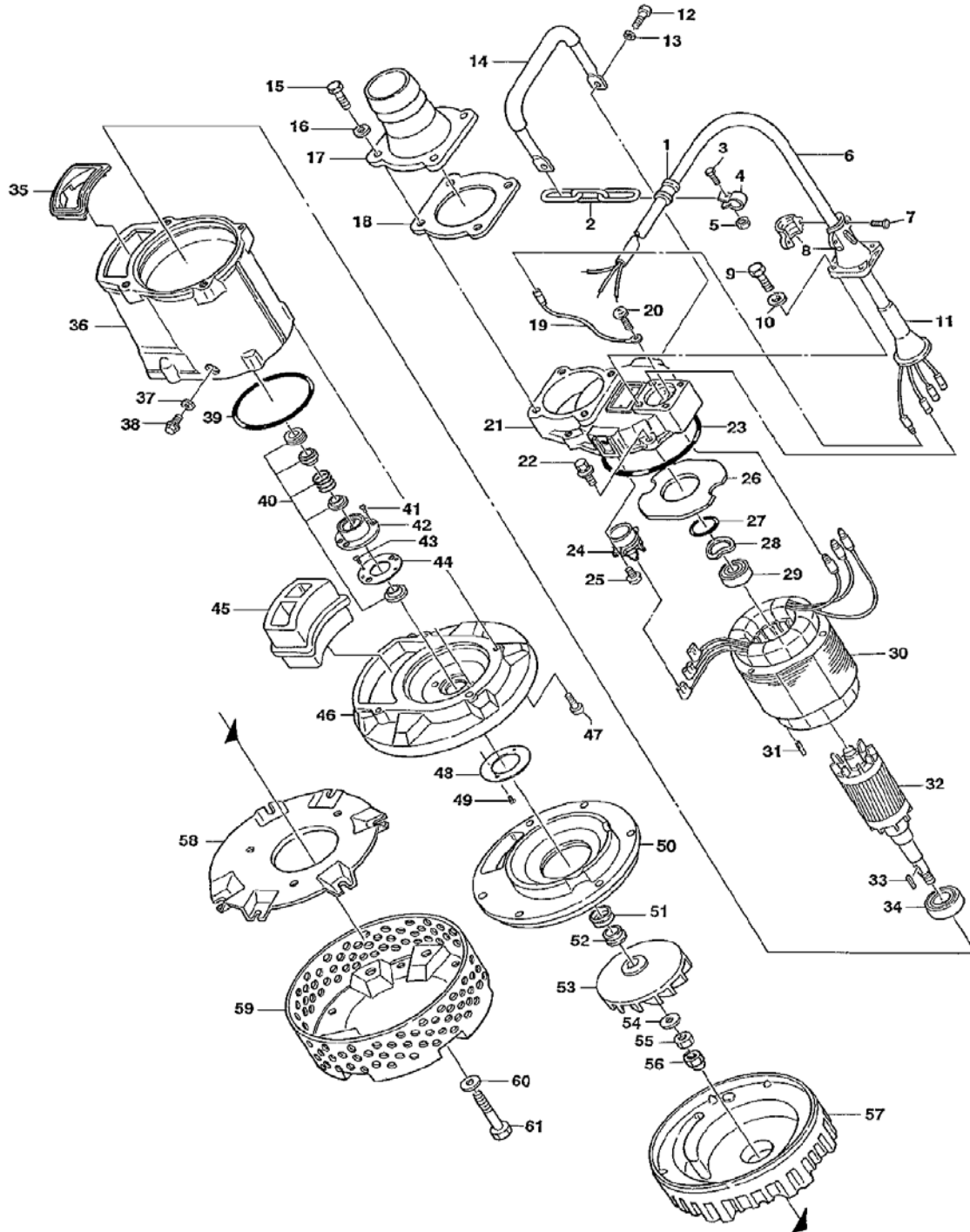
PARTS LIST		LIGHTWEIGHT DEWATERING PUMP			6/7/2018	
ITEM	PART No.	DESCRIPTION	QTY	SIZE	MATERIAL	NOTES
1	010-124-15	Cable Clip Rubber	1	No.3	NBR	
2	095-131-18	Chain	1	4mm(3L)	SS	
3	140-032-37	Hex.Bolt	1	M6x15	SWRM	
4	010-120-18	Cable Clip	1	No.2-1	SPC	
5	141-004-33	Hex.Nut	1	M6	S35C	
6	001-308-33	Cabletyre Cable Set (50') 60Hz (USA)	1	2PNCTF4Cx2mm2	KTV	
7	140-033-12	Hex.Bolt	2	M6x16	SUS304	**included in ITEM 6 cable assembly
8	003-122-24	Stuffing Box 60Hz (USA)	1	No.1-1(w/Clamp)	ADC	**included in ITEM 6 cable assembly
9	140-418-15	Hex.Bolt	4	M8x25(B=12)	SUS304	
10	142-210-11	Plain Washer	4	d8.6xd13.4x1t	SUS304	
11	008-133-10	Mould Cover 60Hz (USA)	1	No.1-9	CR	**included in ITEM 6 cable assembly
12	140-074-15	Hex.Bolt	2	M10x20	SUS304	
13	142-164-19	Spring Washer	2	M10	SUS304	
14	068-000-20	Handle	1	KTV2-37	SGP+NBR	
15	140-507-12	Hex.Bolt	4	M10x35	SUS304	
16	142-128-24	Plain Washer	4	M10	SPC	
17	032-161-12	Hose Coupling	1	GH-22L(NPT-3)	FC	
18	121-141-15	Packing	1	KRB-3/4	NBR	*
19		Earth Terminal	1Set			
20	143-085-34	Pan Screw (w/Spring Washer)	1	M4x6	C3604	
21	050-403-15	Motor Bracket	1		ADC	
22	140-433-16	Hex.Bolt (w/Spring Washer/Plain Washer)	4	M10x35	SUS304	
23	122-298-11	O-Ring	1	160xd3.8	NBR	*
24	053-449-12	Motor Protector 220V-60Hz(USA)	1	KA313-GAZL110	(H)	
	053-438-18	Motor Protector 440V-60Hz(USA)	1	KA313-GCXL103	(H)	
	053-000-59	Motor Protector 575V-60Hz(USA)	1	KA313-GBXL102	(H)	
25	143-136-15	Truss Screw	2	M4x10	SWRM	
26	058-117-13	Lead Wire Protection Plate	1	d70xd140x1.6t	Bakelite	
27	122-367-12	O-Ring	1	52xd3.1	NBR	*
28	142-196-10	Wave Washer	1	6205/6304	SK5	
29	052-107-12	Bearing	1	6304ZCC3		
30	056-668-18	Stator 220V-60Hz(USA)	1Set			
		Stator 440-460-480V-60Hz(USA)	1Set			
		Stator 575V-60Hz(USA)	1Set			
31	145-029-10	Stator Set Pin	1	d8x30	S45C	
32	055-667-14	Rotor	1Set	w/Bearing		
33	147-129-17	Impeller Key	1	5x5x22l	SUS403	
34	052-109-14	Bearing	1	6306ZCC3		

PARTS LIST		LIGHTWEIGHT DEWATERING PUMP			6/7/2018	
ITEM	PART No.	DESCRIPTION	QTY	SIZE	MATERIAL	NOTES
35	121-449-16	Packing (Water Way, Upp.)	1	KTV2-37	NBR	*
36	064-000-80	Motor Frame	1		ADC	
37	121-246-11	Packing	1	d10.3xd16x2t	PE	*
38	035-125-13	Oil Plug	1	M10x20(B=13)	SUS304	
39	122-139-13	O-Ring	1	G-140(139.4xd3.1)	NBR	*
40	025-001-00	Mechanical Seal	1	H-25T (RoHS)	SiC	supercedes 025-255-12 and 025-000-07
41	143-070-23	Pan Screw	2	M5x6	SWRM	
42	030-143-12	Oil Lifter	1	H-25(A)(T)	Resin	
43	143-070-10	Pan Screw	2	M5x6	SWRM	
44	030-152-14	Seal Stopper	1	H-25(A)(T)	SPCC	
45	121-001-03	Packing (Water Way, Low.)	1	KTV2-37	SBR	*
46	029-000-78	Oil Casing	1	KTV2-37	ADC	
47	140-288-14	Hex.Socket Cap Bolt	4	M10x35	SUS304	
48	058-000-26	Protection Plate	1	d36xd85x3t	SUS304	interchangable with 058-000-08
49	143-166-14	Flat Screw	2	M4x8	SUS304	
50	031-000-09	Wear Ring	1	KTV2-37	BR+NR	
51	122-444-14	V-Ring	1	VR-25	NBR	
52	071-298-10	Shaft Sleeve	1	d20xd25x9l	SUS304	
53	021-F77-11	Impeller (60Hz)	1	60Hz	FCD	
	021-R49-14	Impeller (50Hz) OPTION	1	50Hz	FCD	50Hz OPTION
54	142-130-16	Plain Washer	1	M16	SUS304	
55	141-008-11	Hex.Nut	1	M16	SUS304	
56	141-033-15	Hex.Cap Nut	1	M16	SUS304	
57	020-000-36	Pump Casing	1	KTV2-37	BR+NR	
58	127-250-16	Fixing Plate	1	KTV2-37	SPCC	
59	023-434-11	Strainer Stand	1	KTV2-37	SPCC	
60	142-128-24	Plain Washer	6	M10	SPC	
61	140-091-18	Hex.Bolt	6	M10x100	SUS304	
	173-473-10	<b>Packing O-Ring Set</b>	1Set	(Marked by *)		
18	121-141-15	Packing (Hose Coupling)	1	KRB-3/4	NBR	*
23	122-298-11	O-Ring (M.Bracket/M.Frame)	1	160xd3.8	NBR	*
27	122-367-12	O-Ring (Upp. Bearing)	1	52xd3.1	NBR	*
35	121-449-16	Packing (Water Way, Upp.)	1	KTV2-37	NBR	*
37	121-246-11	Packing (Oil Plug)	1	d10.3xd16x2t	PE	*
39	122-139-13	O-Ring (M.Frame/O.Casing)	1	G-140(139.4xd3.1)	NBR	*
45	121-001-03	Packing (Water Way, Low.)	1	KTV2-37	SBR	*
		Lubricant		Turbine Oil VG32 400ml		

PARTS LIST		LIGHTWEIGHT DEWATERING PUMP				6/7/2018
ITEM	PART No.	DESCRIPTION	QTY	SIZE	MATERIAL	NOTES

## EXPLODED VIEW

KTV2-37/37H



C - 00052 - 1